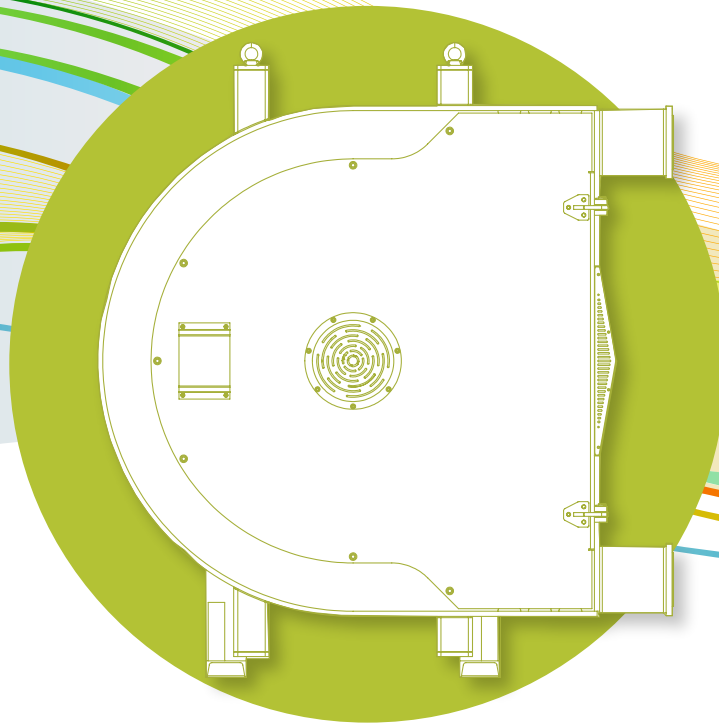




# ALBIN PUMP ALX

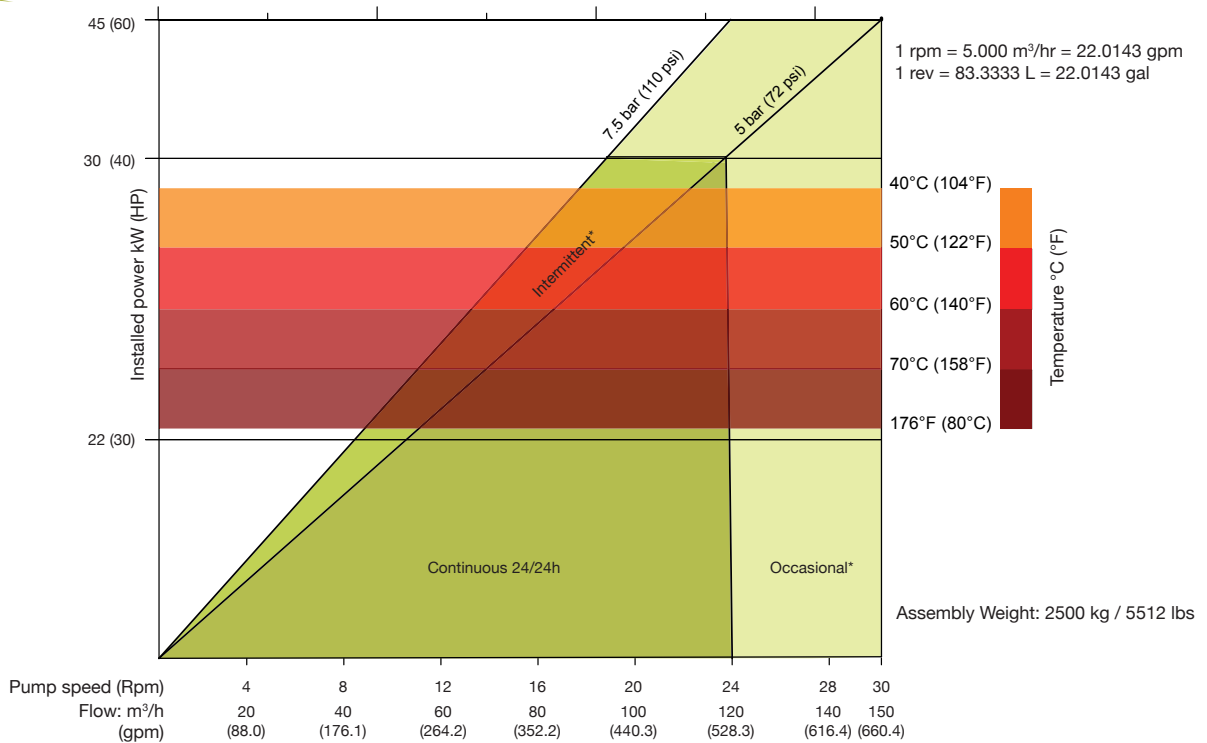
*Hose Pumps / Technical Data Sheet*





# ALX150

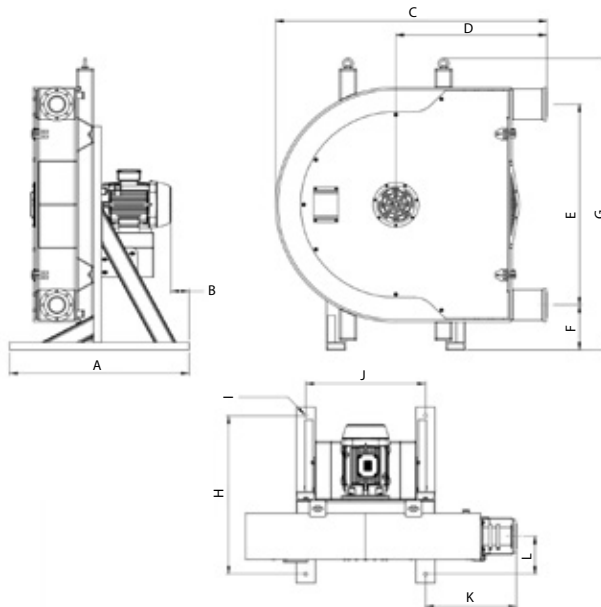
## Data Sheet



\*Intermittent use : minimum one hour stop after 2 hours run / \*Occasional use : maximum one hour a day

### DIMENSIONS

mm (Inch)



TYPE	A	B	C	D	E	F	G	H	I	J	K	L
ALX150	1500 (59.0)	152 (6.0)	2266 (89.2)	1260 (49.6)	1720 (67.7)	385 (15.1)	2498 (98.3)	53.1 (1350)	4xø28 (4xø1.1)	1000 (39.4)	761 (30)	320 (12.6)



**Maroc Sealing**  
FLUID CONTROL



92, Lot Mauritanian - Z one Industrielle Bernoussi  
Casablanca MAROC 20590



[www.marocsealing.com](http://www.marocsealing.com)



[marocsealing@marocsealing.com](mailto:marocsealing@marocsealing.com)



(+212) 05 22 35 41 49/50



(+212) 05 22 35 41 52



(+212) 06 62 14 80 39